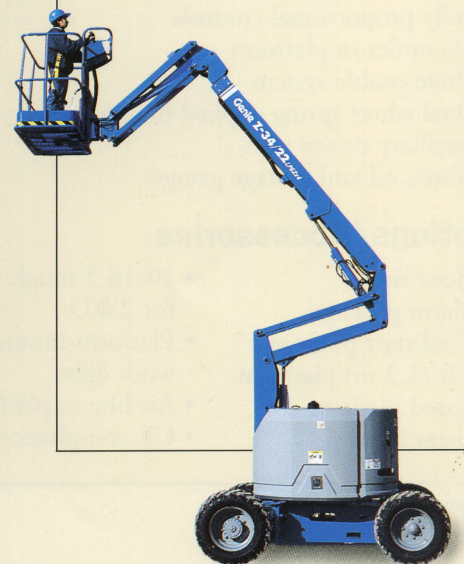


Z-34/22IC

Self-Propelled Articulating Boom



○ Unbeatable engine package for optimum speed and performance.



IC Series:

G/LPG 2x4

D 2x4

G/LPG 4x4

D 4x4

Genie Industries

Z-34/22 IC

Z-34/22 IC™ Series with Gas/LPG or Diesel power options.

▪ The Z-34/22 IC Series combines the **industry leading lift structure with an unbeatable engine package.**

▪ A new drive system, with a high quality, axial piston pump and integrated controls, provides the **smooth control, durability and efficient power transmission required for rough terrain operation.**

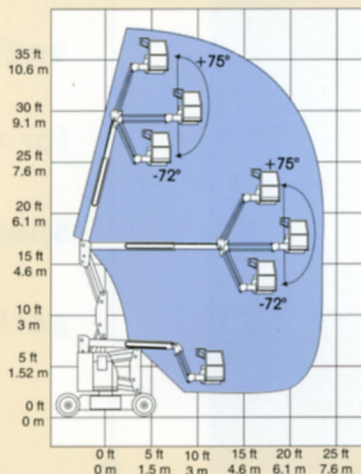
▪ Two-speed hydraulic motors **provide optimum speed and torque.** The 2WD model operates at **0-4.5 mph (0-7.2 km/h) with 37% gradeability.** The 4WD model operates at **0-4.0 mph (0-6.4 km/h) with 45% gradeability.**

▪ Efficient Gas/LPG and Diesel powered Kubota engines have large capacity fuel tanks for **extended running time and maximum performance.** Oil reservoirs have **built-in, easy-to-read sight gauges.**

▪ Zero tail swing and nose swing in all positions with a 68 inch (1.7 m) wide 2WD chassis and 70 inch (1.8 m) wide 4WD chassis provides **excellent maneuverability in confined areas.**

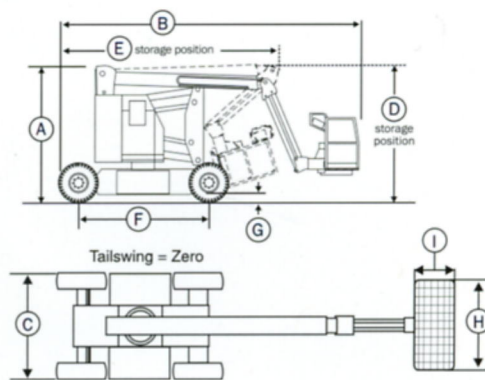
Standard Features Range of Motion

- 40 ft 8 in (12.4 m) working height
- 22 ft 4 in (6.8 m) horizontal reach
- 4 ft (1.2 m) jib features 147° working range
- Compact 68 in (1.7 m) width 2WD model and 70 in (1.8 m) 4WD model
- 500 lb (227 kg) platform capacity
- 160° powered platform rotation
- Self-leveling platform
- Fully proportional controls
- AC outlet in platform
- Drive enable system
- Dual wheel spring applied brakes
- Auxiliary power unit
- Water, oil and voltage gauges



Options/Accessories

- Hour meter
- Alarm package
- Cold start package
- 4 ft (1.2 m) platform
- Gated platform
- Foam filled tires
- 10-16.5 rough terrain tires for 2WD
- Platform-mounted work light
- Air line to platform
- CE compliance option



Specifications

Model	2WD		4WD	
	US	Metric	US	Metric
(A) Height - stowed	6 ft 7 in	2 m	6 ft 8 in	2 m
(B) Length - stowed	18 ft 6 in	5.6 m	18 ft 7 in	5.7 m
(C) Width	5 ft 8 in	1.7 m	5 ft 10 in	1.8 m
(D) Storage height	89 in	2.3 m	90 in	2.3 m
(E) Storage length	13 ft 5 in	4.1 m	13 ft 6 in	4.1 m
(F) Wheelbase	6 ft 2 in	1.9 m	6 ft 2 in	1.9 m
(G) Ground clearance	5.8 in	15 cm	6.5 in	17 cm
(H) Platform length	56 in	142 cm	56 in	142 cm
(I) Platform width	30 in	76 cm	30 in	76 cm
Platform height	34 ft 8 in	10.6 m	34 ft 8 in	10.6 m
Working height	40 ft 8 in	12.4 m	40 ft 8 in	12.4 m
Horizontal reach	22 ft 4 in	6.8 m	22 ft 4 in	6.8 m
Up and over clearance	15 ft	4.6 m	15 ft	4.6 m
Lift capacity	500 lbs	227 kg	500 lbs	227 kg
Turning radius (outside)	13 ft 1 in	4 m	13 ft 1 in	4 m
Turning radius (inside)	5 ft 8 in	1.7 m	5 ft 8 in	1.7 m
Turntable rotation	355°		355°	
Turntable tail swing	Zero		Zero	
Power source	Kubota G/LPG 24.5 hp		Kubota G/LPG 24.5 hp	
	Kubota Diesel 26 hp		Kubota Diesel 26 hp	
Drive speed - stowed	0-4.5 mph	0-7.2 km/h	0-4.0 mph	0-6.4 km/h
Drive speed - raised or extended	0.6 mph	1.0 km/h	0.6 mph	1.0 km/h
Extension speed	40 ft/40 sec	12.2 m/40 sec	40 ft/40 sec	12.2 m/40 sec
Controls	Proportional		Proportional	
Platform rotation	160°		160°	
AC outlet in platform	Standard		Standard	
Tires	9-14.5 Industrial		10-16.5 Rough Terrain	
Gradeability*	37%		45%	
Hydraulic pressure max (boom functions)	3,200 psi	221 bar	3,200 psi	221 bar
Hydraulic pressure max (drive functions)	3,500 psi	241 bar	3,500 psi	241 bar
Hydraulic reservoir tank	18 gal	68 ltr	18 gal	68 ltr
Fuel tank capacity	11.5 gal	44 ltr	11.5 gal	44 ltr
Weight	10,500 lb	4,763 kg	10,700 lb	4,854 kg

*Stowed position only

Distributed By:

Genie Industries

GENIE UNITED STATES

18340 NE 76th Street
P.O. Box 97030
Redmond, Washington 98073-9730
Telephone (206) 881-1800
Toll Free 800-536-1800
Fax (206) 883-3475
<http://www.genielift.com>

GENIE UNITED KINGDOM

Brunel Drive
Newark
Nottinghamshire
NG24 2EG England
Telephone (44) 01636-605030
Fax (44) 01636-611090
<http://www.genielift.com>