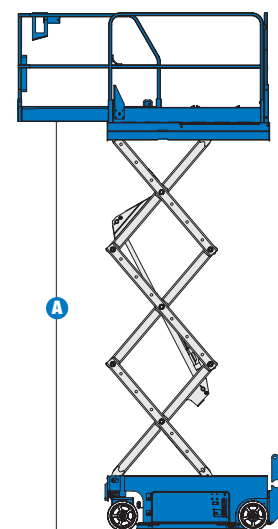
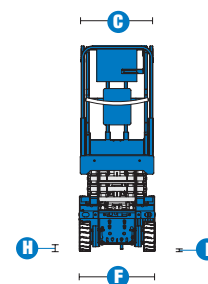
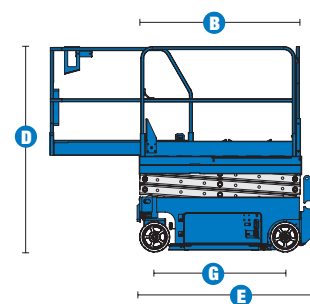


# Specifications

| MODELS                                  | GS™-1532 |           | GS™-1932 |            |
|---|----------|-----------|----------|------------|
| MEASUREMENTS                            | Metric   | US        | Metric   | US         |
| Working height maximum*                 | 6.57 m   | 21 ft     | 7.79 m   | 25 ft      |
| <b>A</b> Platform height maximum        | 4.57 m   | 15 ft     | 5.79 m   | 19 ft      |
| <b>B</b> Platform length - outside      | 1.63 m   | 5 ft 4 in | 1.63 m   | 5 ft 4 in  |
| extended                                | 2.54 m   | 8 ft 4 in | 2.54 m   | 8 ft 4 in  |
| Slide-out platform extension deck       | 91 cm    | 3 ft      | 91 cm    | 3 ft       |
| <b>C</b> Platform width - outside       | 74 cm    | 2 ft 5 in | 74 cm    | 2 ft 5 in  |
| Guardrail height:                       | 1.10 m   | 3 ft 7 in | 1.10 m   | 3 ft 7 in  |
| Toeboard height                         | 15 cm    | 6 in      | 15 cm    | 6 in       |
| <b>D</b> Height - stowed:fixed rails    | 1.96 m   | 6 ft 5 in | 2.00 m   | 6 ft 7 in  |
| folding guardrails                      | 2.03 m   | 6 ft 8 in | 2.11 m   | 6 ft 11 in |
| rails folded                            | 1.73 m   | 5 ft 8 in | 1.75 m   | 5 ft 9 in  |
| <b>E</b> Length - stowed                | 1.83 m   | 6 ft      | 1.83 m   | 6 ft       |
| Length - stowed extended                | 2.74 m   | 9 ft      | 2.74 m   | 9 ft       |
| <b>F</b> Width                          | 81.3 cm  | 2 ft 8 in | 81.3 cm  | 2 ft 8 in  |
| <b>G</b> Wheelbase                      | 1.32 m   | 4 ft 4 in | 1.32 m   | 4 ft 4 in  |
| <b>H</b> Ground clearance - centre      | 6 cm     | 2.4 in    | 6 cm     | 2.4 in     |
| <b>I</b> - with pothole guards deployed | 2 cm     | .75 in    | 2 cm     | .75 in     |



| PRODUCTIVITY              |                  |                 |                  |                 |
|---------------------------|------------------|-----------------|------------------|-----------------|
| Lift capacity             | 272 kg           | 600 lbs         | 227 kg           | 500 lbs         |
| Drive speed - stowed      | 4.0 km/h         | 2.5 mph         | 4.0 km/h         | 2.5 mph         |
| Drive speed - raised      | 0.8 km/h         | 0.5 mph         | 0.8 km/h         | 0.5 mph         |
| Gradeability**            | 30%              | 30%             | 30%              | 30%             |
| Turning radius - inside   | zero             | zero            | zero             | zero            |
| Turning radius - outside  | 1.55 m           | 5 ft 1 in       | 1.55 m           | 5 ft 1 in       |
| Raise / lower speed       | 16 / 29 sec      | 16 / 29 sec     | 16 / 25 sec      | 16 / 25 sec     |
| Controls                  | proportional     |                 | proportional     |                 |
| Drive                     | dual front wheel |                 | dual front wheel |                 |
| Multiple disc brakes      | dual rear wheel  |                 | dual rear wheel  |                 |
| Tyres - solid non-marking | 30 x 11 x 20 cm  | 12 x 4.5 x 8 in | 30 x 11 x 20 cm  | 12 x 4.5 x 8 in |

| POWER                     |                                  |          |                                  |          |
|---------------------------|----------------------------------|----------|----------------------------------|----------|
| Power source              | 24 V (four 6 V 225 Ah batteries) |          | 24 V (four 6 V 225 Ah batteries) |          |
| Hydraulic system capacity | 14.2 L                           | 3.75 gal | 14.2 L                           | 3.75 gal |

| WEIGHT*** |          |           |          |           |
|-----------|----------|-----------|----------|-----------|
|           | 1,237 kg | 2,728 lbs | 1,498 kg | 3,302 lbs |

| STANDARDS COMPLIANCE | CE EN280, PB-10-611-03 |
|----------------------|------------------------|
|----------------------|------------------------|

\* The metric equivalent of working height adds 2 m to platform height. U.S. adds 6 ft to platform height.  
 \*\* Gradeability applies to driving on slopes, see Operator's Manual for details regarding slope ratings.  
 \*\*\* Weight will vary depending on options and/or country standards.

## Features

### STANDARD FEATURES

#### MEASUREMENTS

##### GS™-1532

- 6.57 m (21 ft) working height
- Up to 272 kg (600 lb) lift capacity

##### GS™-1932

- 7.79 m (25 ft) working height
- Up to 227 kg (500 lb) lift capacity

#### PRODUCTIVITY

- 1.63 m x 74 cm (5 ft 4 in x 2 ft 5 in) steel platform
- Fixed rail with chain entry gate
- 91 cm (3 ft) extension deck
- Dual front wheel drive
- Proportional lift and drive
- Automatic battery charger
- 30% gradeability
- Onboard diagnostic system
- AC power to platform
- Manual platform lowering valve
- Emergency stop at both platform and ground controls
- Rear wheel multiple disc brakes
- Front wheel hydraulic dynamic braking
- Brake release
- Solid non-marking tyres
- Pothole guards
- Tilt level sensor with audible alarm
- Descent alarm
- Electronic horn
- Hour meter
- Certified load sensor

#### POWER

- 24 V DC (four 6 V 225 Ah batteries)



### OPTIONS & ACCESSORIES

#### PRODUCTIVITY

- Folding rails with half-height swing gate
- Platform swing gate, half height
- Air line to platform
- Dual flashing beacons
- Motion package
- Platform work lights
- Ground controls cover
- Automotive horn

#### POWER

- Power inverter
- Maintenance-free batteries

### European Offices

#### UK

The Maltings  
Wharf Road  
Grantham NG31 6BH  
UK  
Tel: +44 (0)1476 584333  
Fax: +44 (0)1476 584334

#### France

10, ZA de la Croix St. Mathieu  
28320 Gallardon  
France  
Tel: +33 (0)2 37 26 09 99  
Fax: +33 (0)2 37 26 09 98

#### Germany

Finienweg 3  
28832 Achim/Bremen  
Germany  
Tel: +49 (0)4202 8852-0  
Fax: +49 (0)4202 8852-25

#### Spain

Gaià 31, Pol. Ind. Plà d'en Coll  
08110 Montcada i Reixac  
Barcelona  
Spain  
Tel: +34 93 572 50 90  
Fax: +34 93 572 50 91

#### Scandinavia

Tagenevägen 72  
425 37 Hisings Kärra  
Sweden  
Tel: +46 31 57 51 00  
Fax: +46 31 57 90 20

### Genie United States

18340 NE 76th Street  
P.O. Box 97030  
Redmond, Washington 98073-9730  
USA  
Tel: +1 425 881-1800  
Fax: +1 425 883-3475

**WEB:** [www.genieindustries.com](http://www.genieindustries.com)  
**Email:** [infoeurope@genieind.com](mailto:infoeurope@genieind.com)

### Distributed By: